

APPROVED  
 Montana Department of  
 Environmental Quality  
*[Signature]* 12/22/2017  
 Reviewer Date

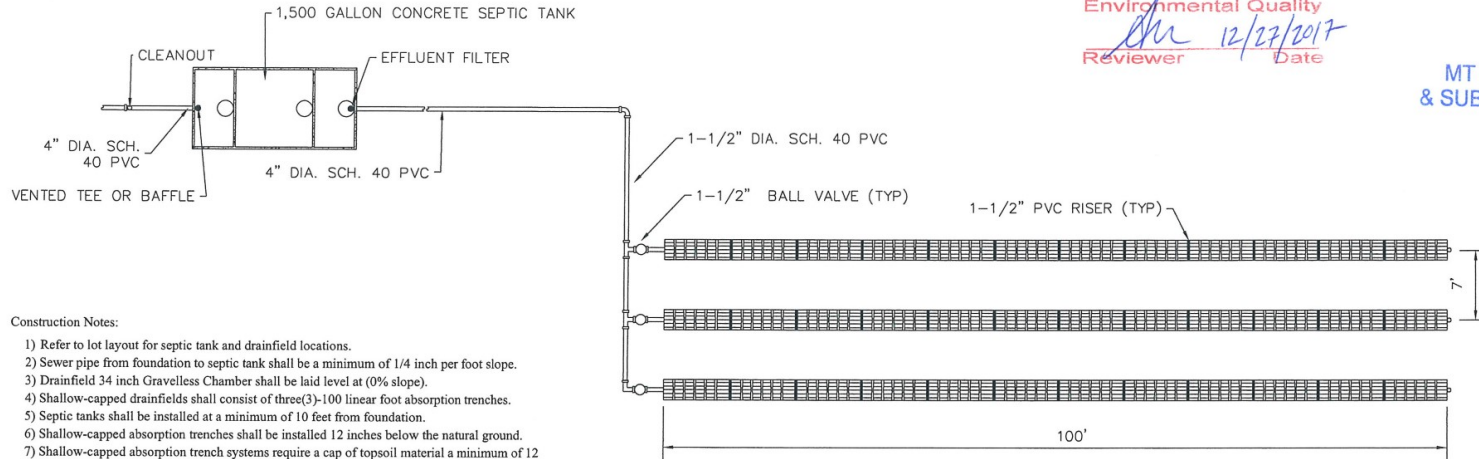
RECEIVED

DEC 15 2017

MT DEQ PUBLIC WATER  
 & SUBDIVISION & ENGINEER

2110 OVERLAND AVE.  
 SUITE 119B  
 BILLINGS, MT 59102  
 PHONE (406) 294-2294  
 FAX (406) 294-2295

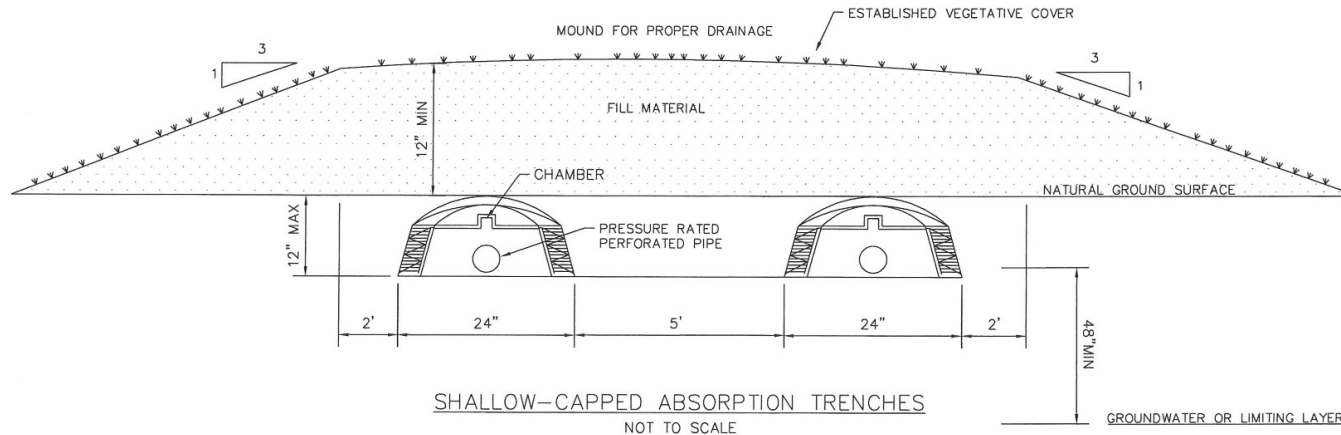
**blue**line  
 ENGINEERING



Construction Notes:

- 1) Refer to lot layout for septic tank and drainfield locations.
- 2) Sewer pipe from foundation to septic tank shall be a minimum of 1/4 inch per foot slope.
- 3) Drainfield 34 inch Gravelless Chamber shall be laid level at (0% slope).
- 4) Shallow-capped drainfields shall consist of three(3)-100 linear foot absorption trenches.
- 5) Septic tanks shall be installed at a minimum of 10 feet from foundation.
- 6) Shallow-capped absorption trenches shall be installed 12 inches below the natural ground.
- 7) Shallow-capped absorption trench systems require a cap of topsoil material a minimum of 12 inches deep.
- 8) Cap material must be either sandy loam or loamy sand.
- 9) Cap must extend 2 feet beyond the edges of the require absorption area before the sides are shaped to a 3:1 or lesser slope.

GRAVITY DRAINFIELD LAYOUT DETAIL  
 NOT TO SCALE



SHALLOW-CAPPED ABSORPTION TRENCHES  
 NOT TO SCALE

REVISIONS	
NO.	DATE
1.	12/11/17

JOB:	15051
DATE:	6/8/17
DRAWN BY:	NSM
CHECKED BY:	MDP
SCALE:	NTS
DRAWING:	SITE 27

PINE ROCK SUBDIVISION, 1ST FILING  
 S.27 T02N R26E  
 YELLOWSTONE COUNTY  
 DRAINFIELD DETAILS - SHALLOW CAP

~SHEET~  
 12 / 12